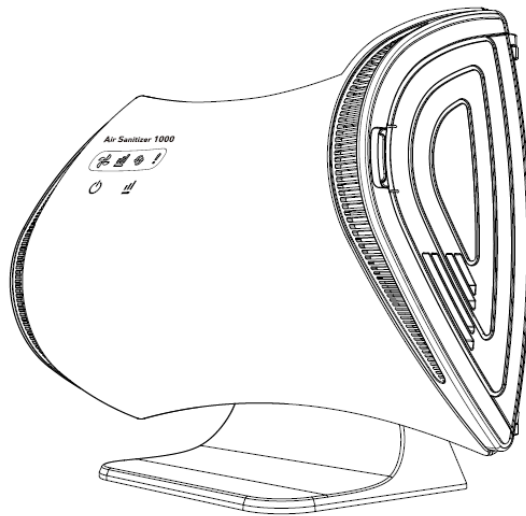
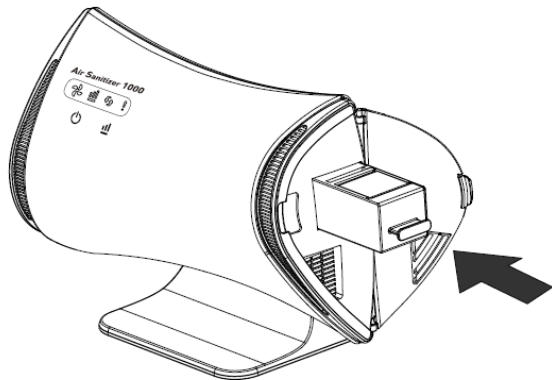


QUICK START GUIDE

Air Sanitizer 1000

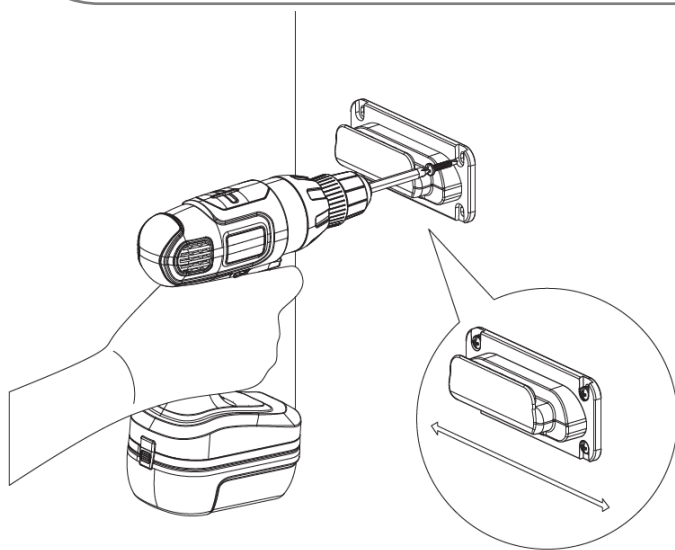


Read instructions carefully before attempting installation.



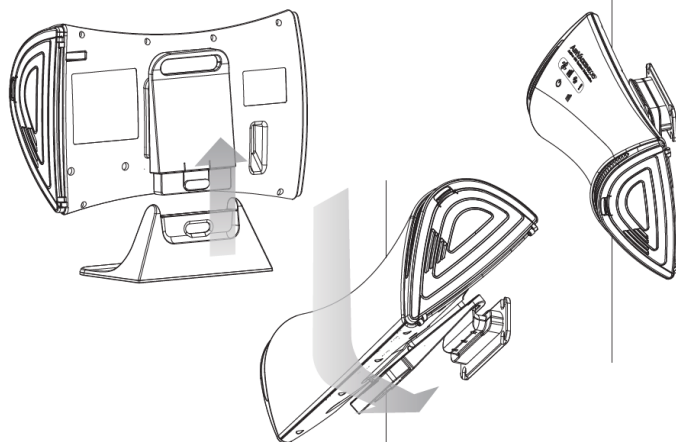
Cartridge installation & Replacements

- 1) Open the cartridge cover and insert the cartridge in the main body.
- 2) Beep sound and turned off cartridge install alarm indicator.
- 3) Power On, start operation



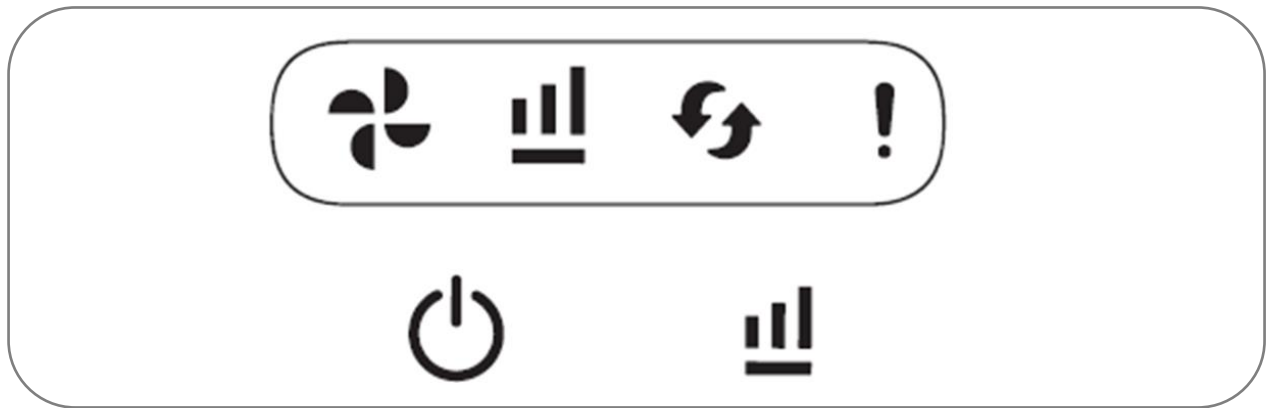
1. Wall mount installation

Fix the wall mount bracket on the wall with the enclosed plastic screws.



2. Detaching the stand base from the body

install the body on the wall mounting bracket.



Buttons



Power ON/OFF



Select Mode : Select 4 power levels

Indicators



Power on indicator : turned on.



Mode level indicator : 4 power levels
(night, weak, middle, strong)

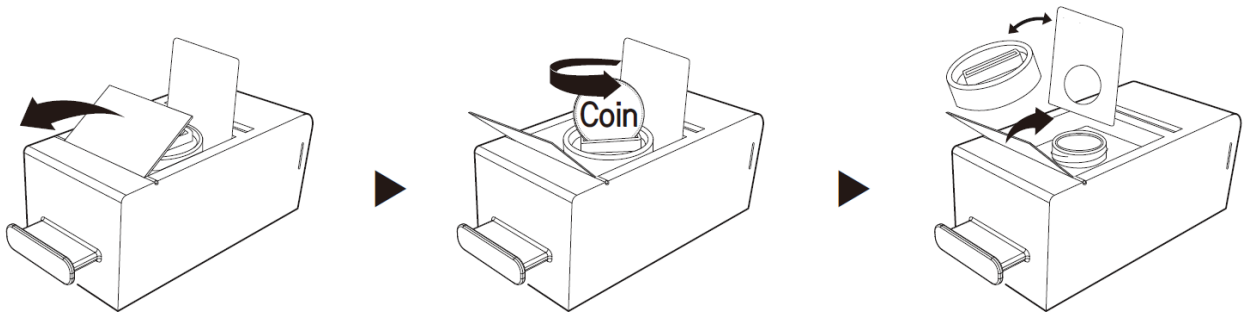


Cartridge change alarm : Required to be changed



Cartridge install alarm : Cartridge is not properly installed

Cartridge Preparation



- 1) Open the cover of the cartridge.
- 2) Open the cap of catalyst liquid bottle by counterclockwise using coin.
- 3) Off the tag from the catalyst liquid bottle and close the cover.

QR/link information :

Download the user manual and the catalogue, consult effectiveness certificates and tests, and access to the FAQs.



<https://www.airsanitizone.com>